

- 3 POSITION THE U-BOLT AT THE APPROPRIATE LOCATION AS SHOWN. INSTALL THE NUTS AND HAND TIGHTEN UNTIL SNUG TIGHT.

NOTE:

PROVIDE 1/16" RADIAL CLEARANCE ALL AROUND BETWEEN THE SHIELD AND THE U-BOLT EXCEPT AT THE BOTTOM AS SHOWN IN FIGURE 1.

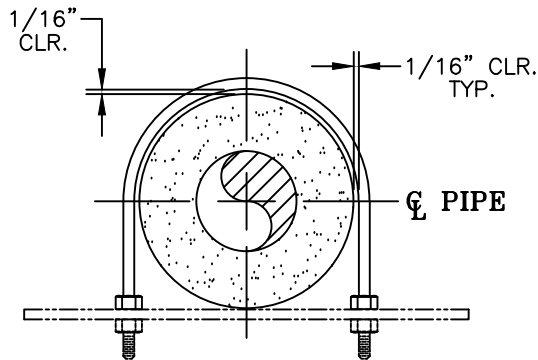


FIGURE 1

MODEL: G3000/A1000-A7400 SERIES
PIPE CLAMP GUIDE STRAP
INSTALLATION INSTRUCTIONS