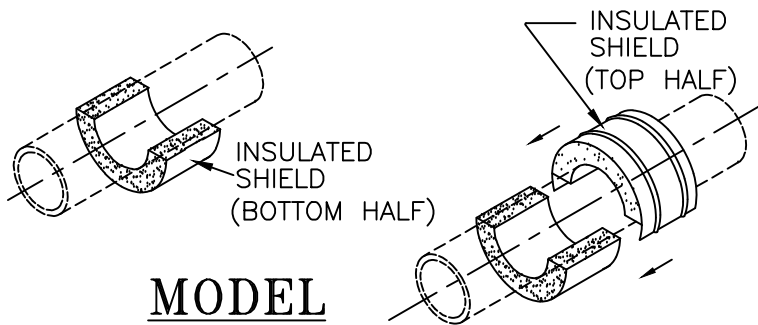




Pipe Shields, Inc.



MODEL D1000-D2000

- 1) A) POSITION THE BOTTOM HALF OF THE INSULATED HANGER SHIELD (INSULATING STRUCTURAL MATERIAL AND SHEET METAL JACKET) ON THE PIPE AT THE DESIRED LOCATION. B) ENSURE THAT THE BOTTOM HALF SHIELD IS LOCATED UNDER THE PIPE AS SHOWN BELOW (FIGURE A)

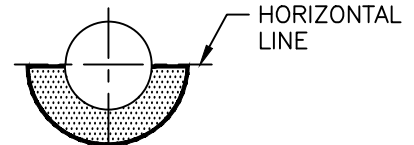
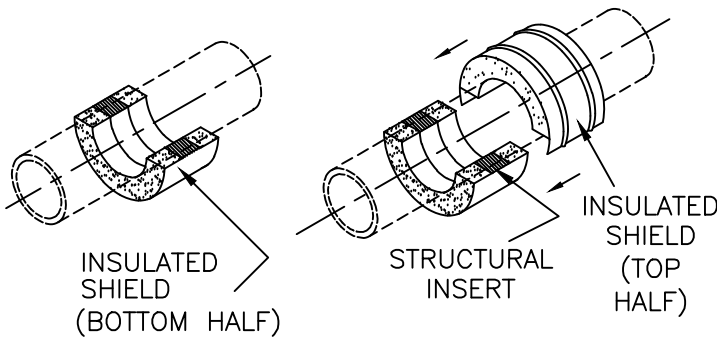


FIGURE A



MODEL D3000-D3300

- 2) GENTLY SLIDE INTO POSITION THE TOP HALF OF THE INSULATED HANGER SHIELD OVER THE BOTTOM HALF SHIELD AS SHOWN.
- 3) A) PLACE THE STRAPS INTO POSITION (BETWEEN THE BEADS) AND LINE UP THE BOLT HOLES. B) INSTALL THE BOLTS, THROUGH THE STRAP EARS, SPACER, WELDLESS EYE NUT, LOCK WASHERS AND NUTS AND HAND TIGHTEN NUTS. C) APPLY TORQUE VALUE ON THE BOLTS. SELECT TORQUE VALUE THAT CORRESPOND WITH THE PIPE SIZE AND MODEL DESIGNATION OF THE UNIT AS SHOWN ON SHEET 2, (TABLE 1 FOR MODEL D1000-D2000, TABLE 2 FOR MODEL D3000-D3300) D) WHEN TIGHTENING IT IS RECOMMENDED THAT THE NUT IS TURNED RATHER THAN THE BOLT HEAD AND THAT THE BOLTS BE CROSS-TORQUED UNTIL THE REQUIRED TORQUE HAS BEEN ACHIEVED TO OBTAIN AN EVEN PRESSURE ON THE STRUCTURAL INSULATION. (STRUCTURAL INSERTS FOR MODEL D3000-D3300) E) ENSURE THAT THE BOLTS ARE PROPERLY CROSS TORQUED BY CHECKING SPACING (B) BETWEEN THE EARS TO BE APPROXIMATELY THE SAME (SEE FIGURE B).

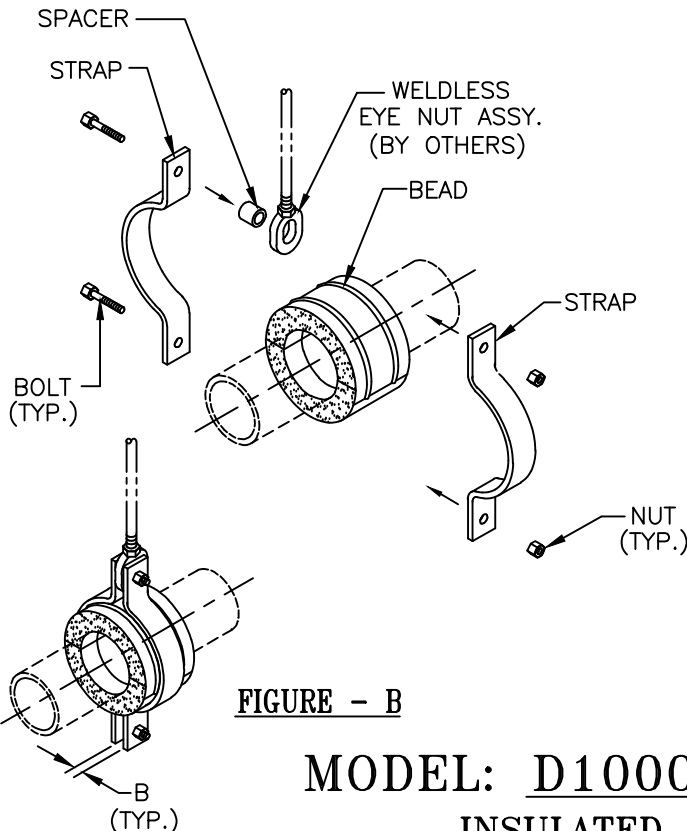


FIGURE - B

NOTE: WHEN MODELS INCLUDE HEAT TRACE GROVES, THE NUMBER AND LOCATION MAY VARY. CHECK WITH DESIGN DRAWINGS FOR EXACT NUMBER AND LOCATION.

MODEL: D1000-D3300 SERIES INSULATED 2-BOLT HANGER INSTALLATION INSTRUCTIONS



**TABLE 1
BOLT TORQUE**

	D1000 (SERIES)	D2000 (SERIES)		D1000 (SERIES)	D2000 (SERIES)
PIPE SIZE	BOLT TORQUE (FT-LBS)	BOLT TORQUE (FT-LBS)	PIPE SIZE	BOLT TORQUE (FT-LBS)	BOLT TORQUE (FT-LBS)
1/2"	1-3	1-3	2 1/2"	2-4	2-4
3/4"	1-3	1-3	3"	3-5	3-5
1"	1-3	1-3	3 1/2"	3-5	3-5
1 1/4"	1-3	1-3	4"	3-5	3-5
1 1/2"	1-3	1-3	6"	3-5	3-5
2"	2-4	2-4			

**TABLE 2
BOLT TORQUE**

	D3000 SERIES	D3100 SERIES	D3200 SERIES	D3300 SERIES
PIPE SIZE	BOLT TORQUE (FT-LBS)	BOLT TORQUE (FT-LBS)	BOLT TORQUE (FT-LBS)	BOLT TORQUE (FT-LBS)
1	1-3	1-3	1-3	1-3
1.5	1-3	1-3	1-3	1-3
2	1-3	1-3	1-3	1-3
2.5	1-3	1-3	1-3	1-3
3	1-3	1-3	1-3	1-3
3.5	1-3	1-3	1-3	1-3
4	1-3	1-3	1-3	1-3
5	8-10	8-10	8-10	8-10
6	8-10	8-10	8-10	8-10
8	8-10	8-10	20-22	20-22
10	13-15	13-15	28-30	28-30
12	13-15	13-15	28-30	28-30
14	13-15	13-15	28-30	28-30
16	13-15	13-15	28-30	28-30
18	13-15	13-15	28-30	28-30
20	13-15	13-15	28-30	48-50
24	13-15	13-15	28-30	48-50
26	13-15	13-15	28-30	48-50
28	13-15	13-15	28-30	48-50
30	13-15	13-15	28-30	48-50
32				
36	33-35	42-44		
42				

MODEL: D1000-D3300 SERIES
INSULATED 2-BOLT HANGER
INSTALLATION INSTRUCTIONS